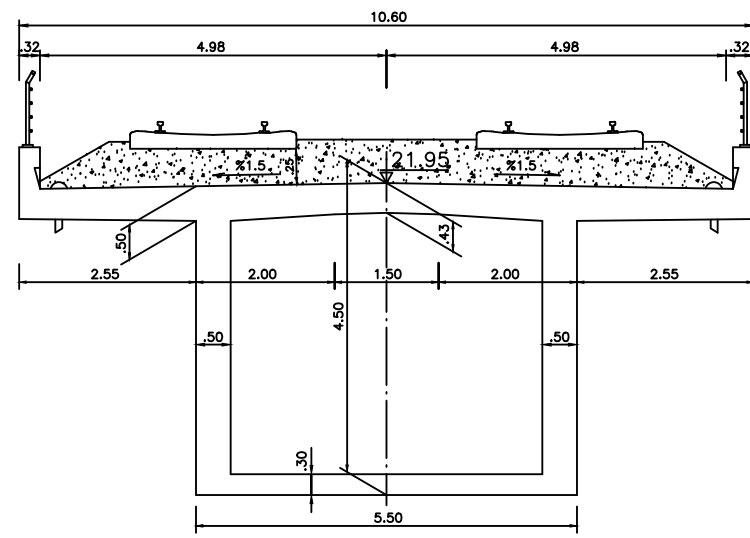
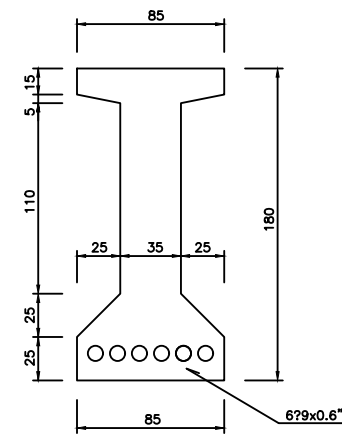


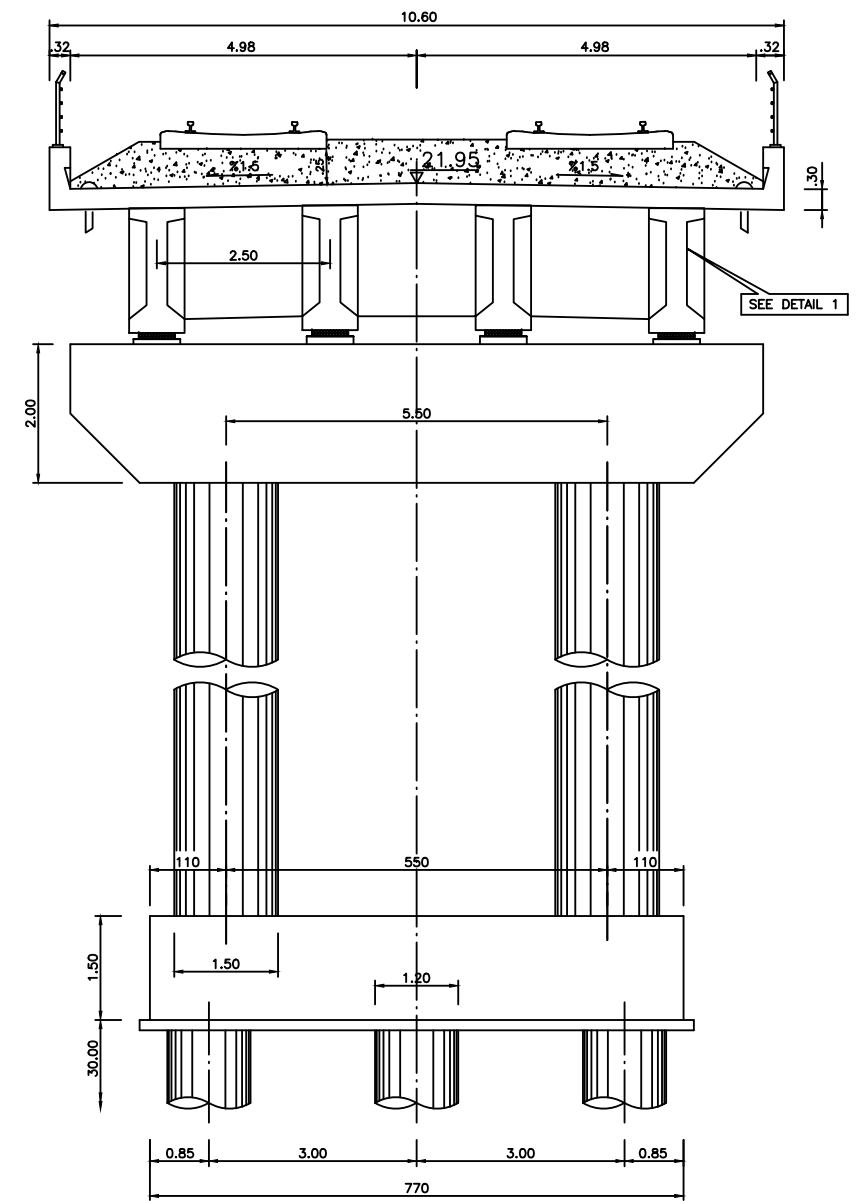
DECK SECTION AT SUPPORT
1:50



DECK SECTION AT MIDSPAN
1:50



DETAIL 1
1:20
UNIT=Cm



SECTION A
1:50